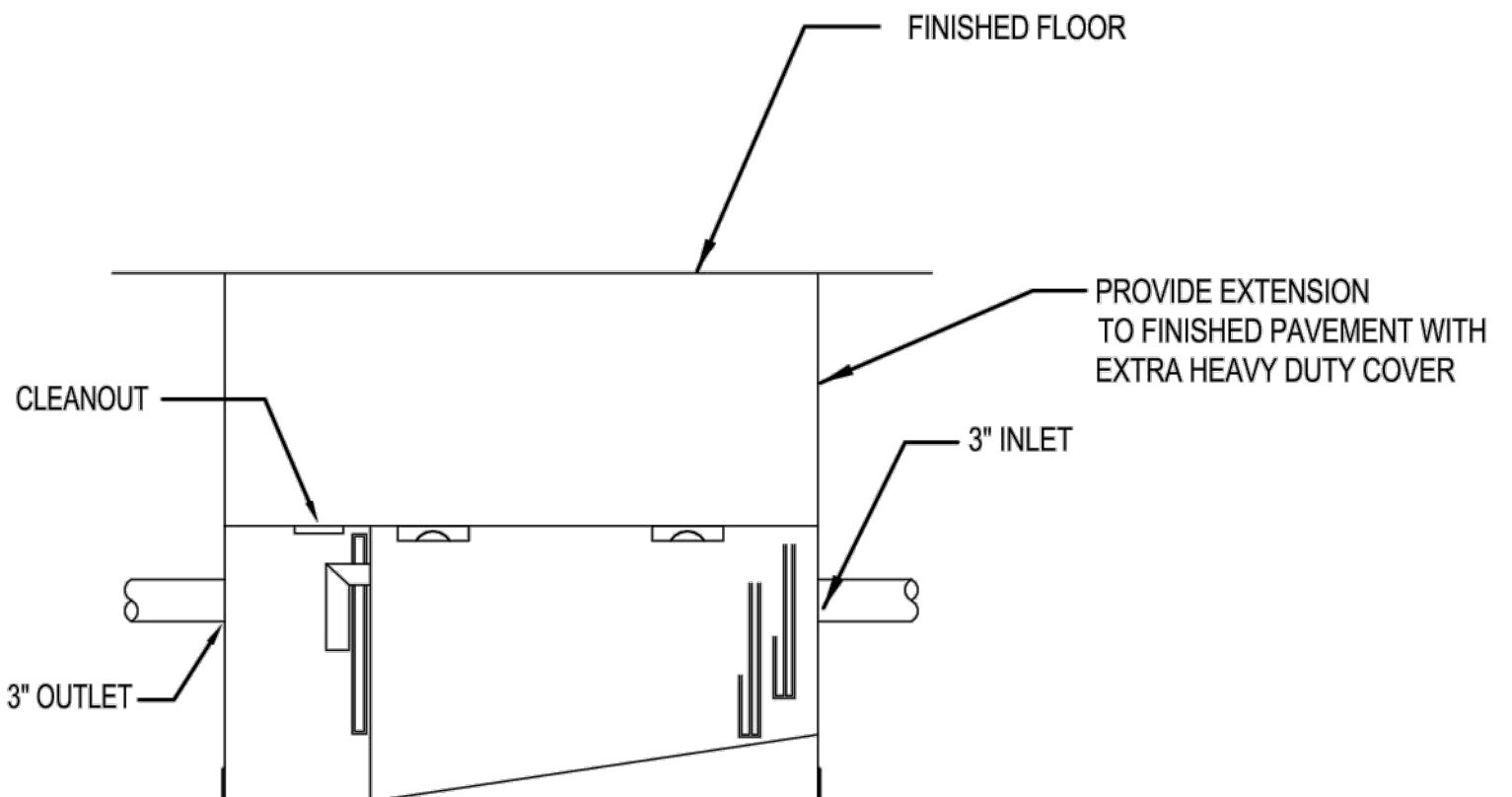
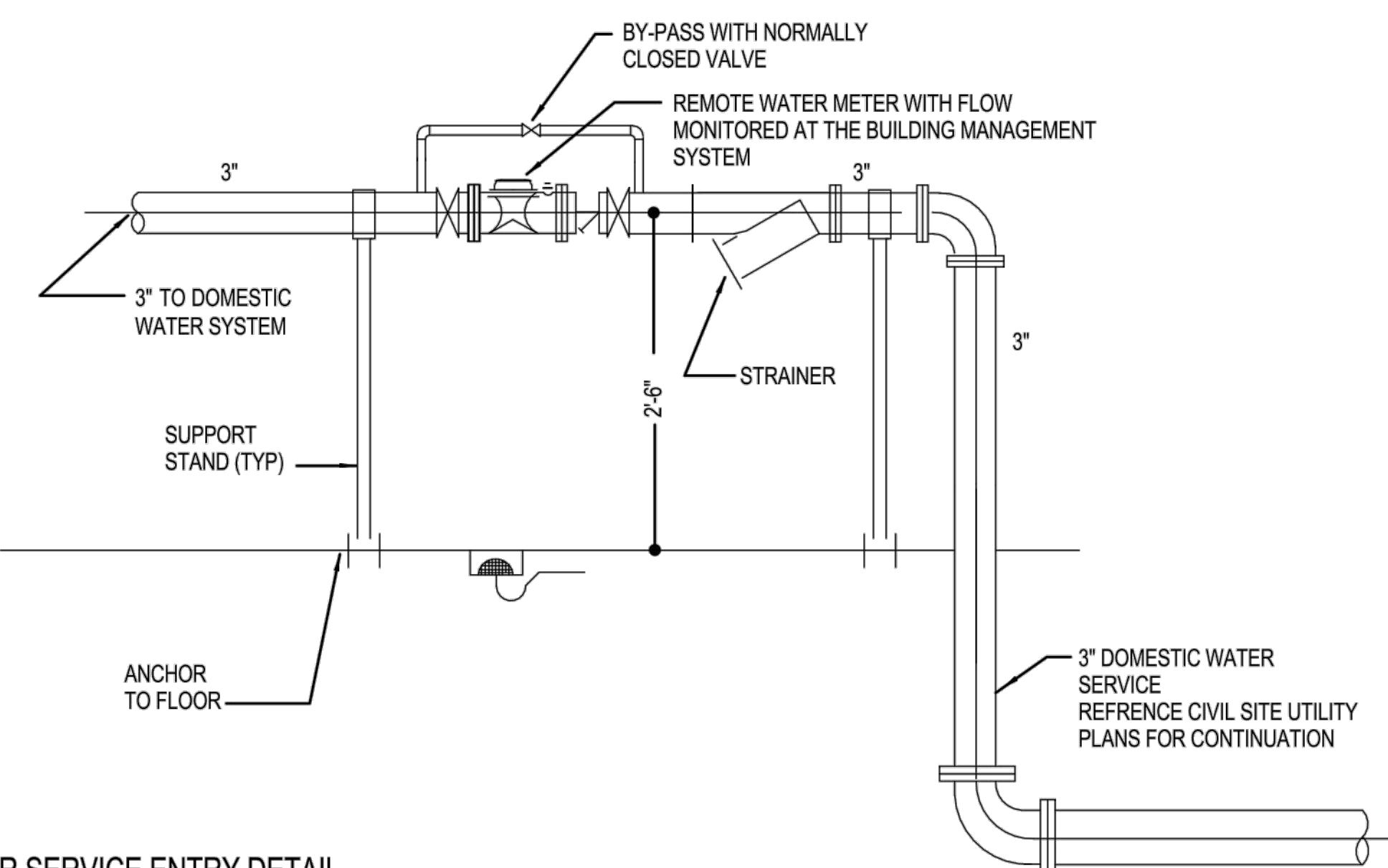


DISCLAIMER  
ATTACHMENT OF THIS SEAL TO THIS DOCUMENT IS MADE ONLY FOR THE PURPOSE OF AUTHENTICATING THIS DOCUMENT. RESPONSIBILITY FOR ALL OTHER DOCUMENTS RELATING TO THIS PROJECT IS DECLINED.

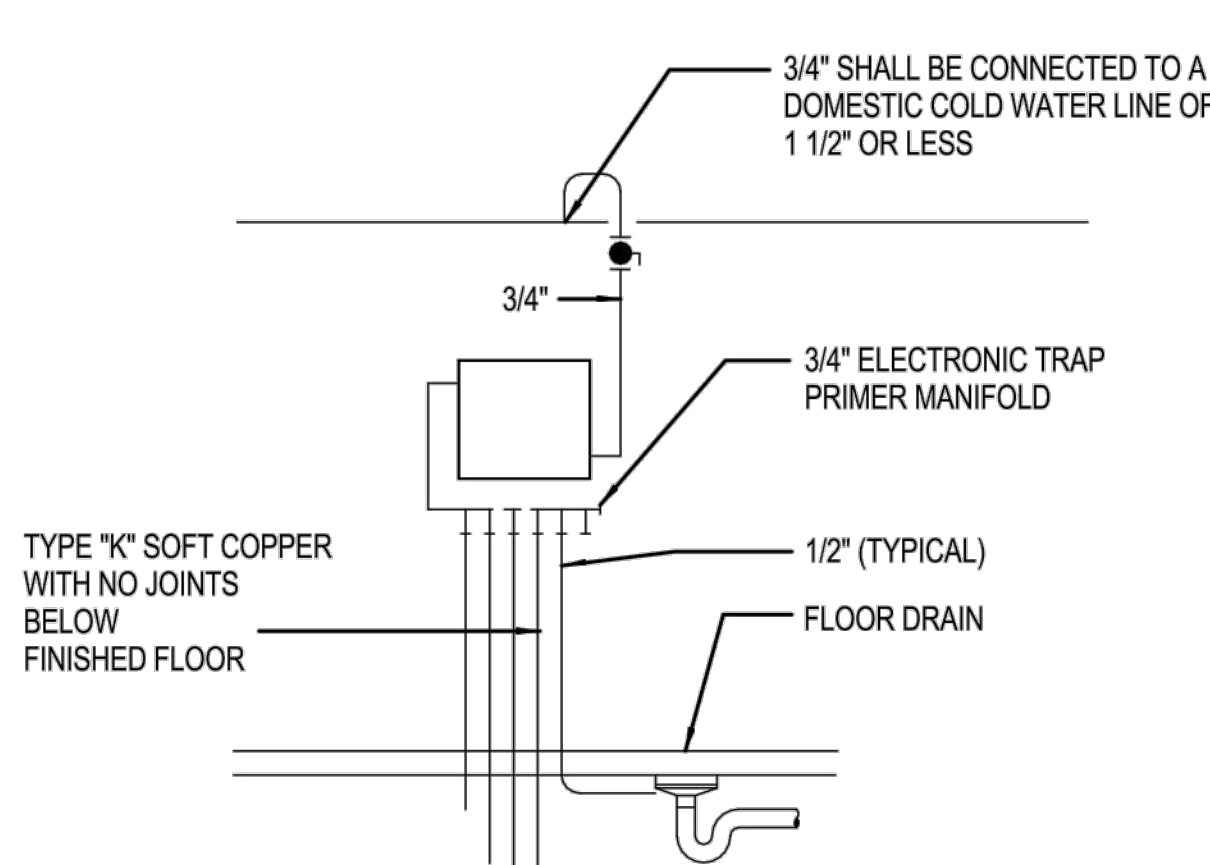
Revision:	Date:	Description:
1	05Nov2013	Amendment No. 1
2	03Dec2013	Amendment No. 2
3	11Dec2013	Addendum 003
4	13Dec2013	Addendum 004
5	27Feb2014	Amendment No. 5
6	05Mar2014	Amendment No. 6
A	29Apr2014	Orig Conformed Docs 1



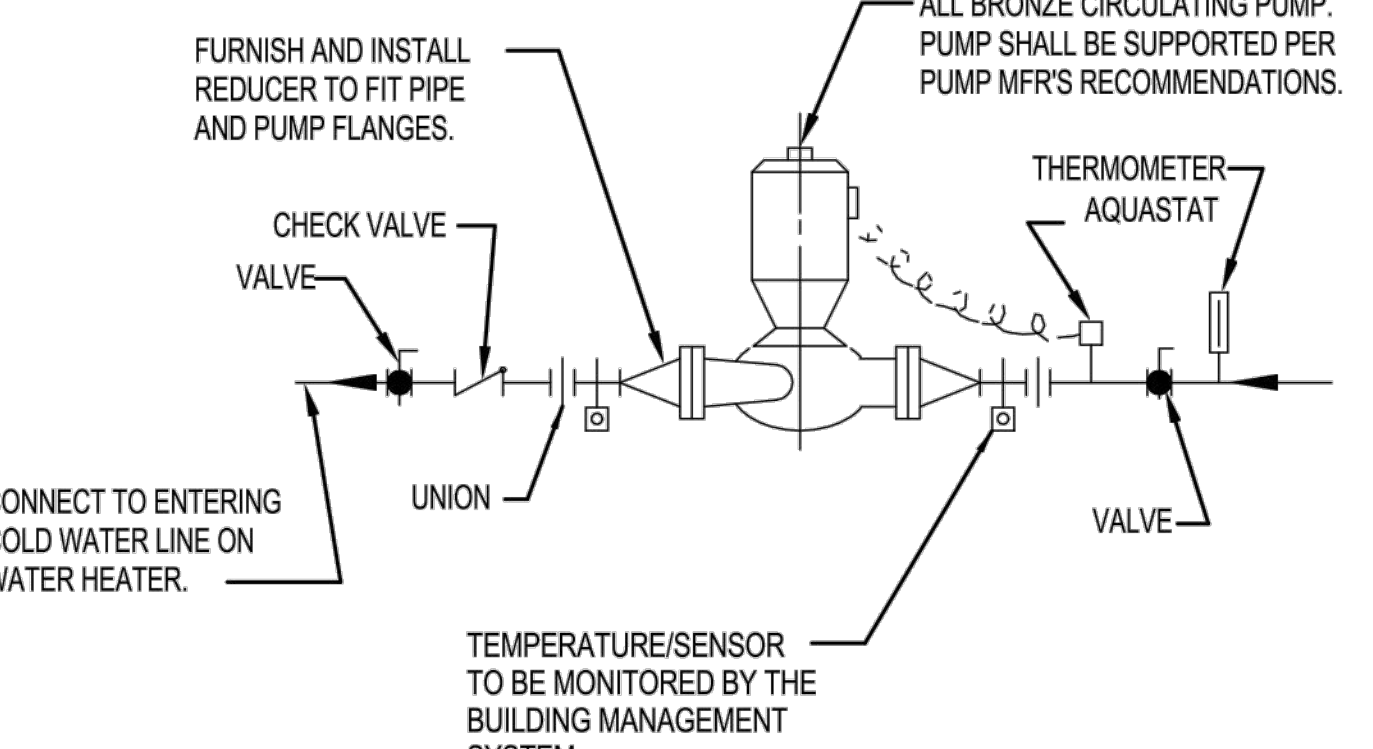
**C1** OI-2 (MECHANICAL ROOM) OIL WATER SEPERATOR DETAIL  
NOT TO SCALE  
P-402



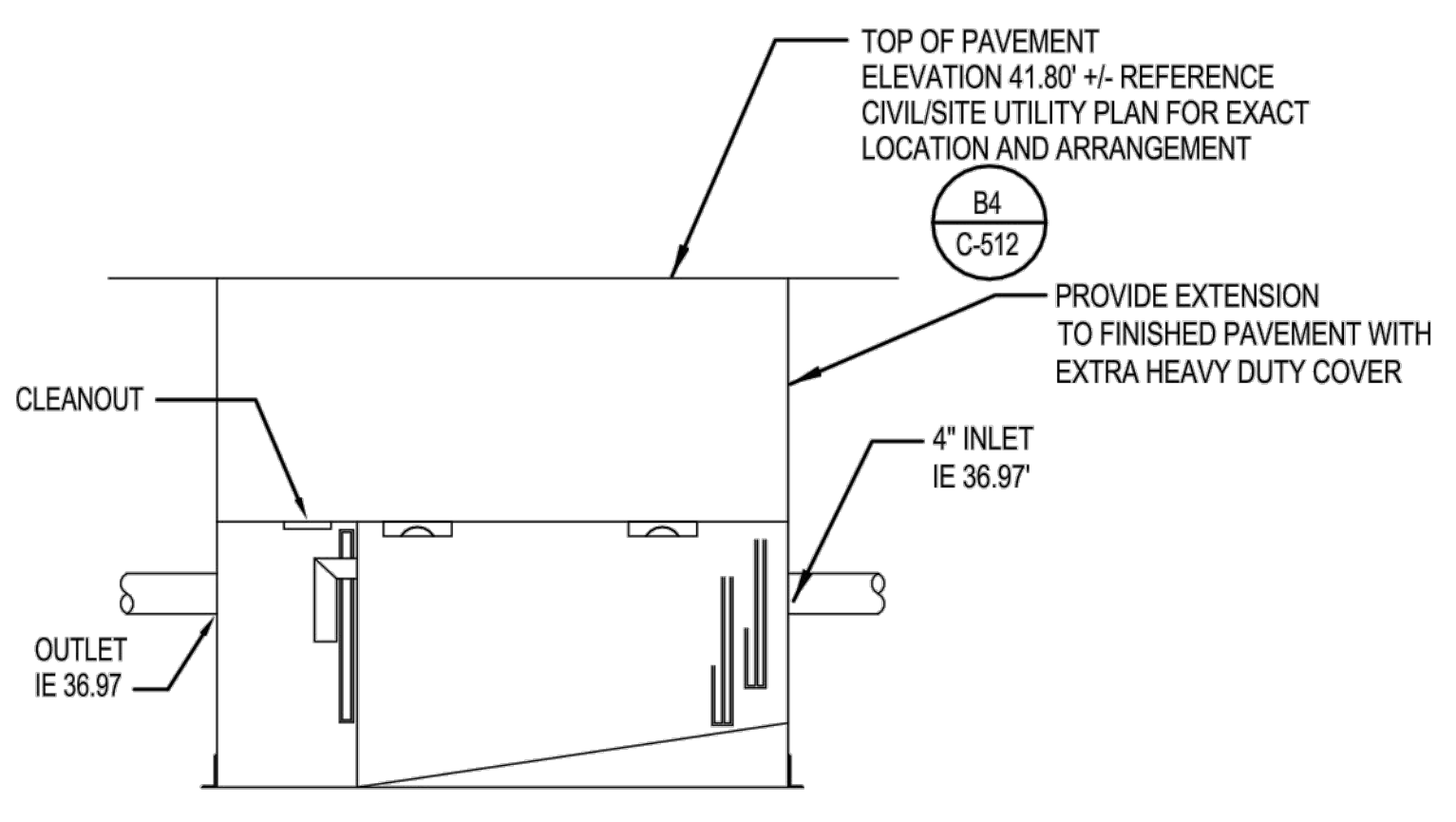
**B1** WATER SERVICE ENTRY DETAIL  
NOT TO SCALE  
P-402



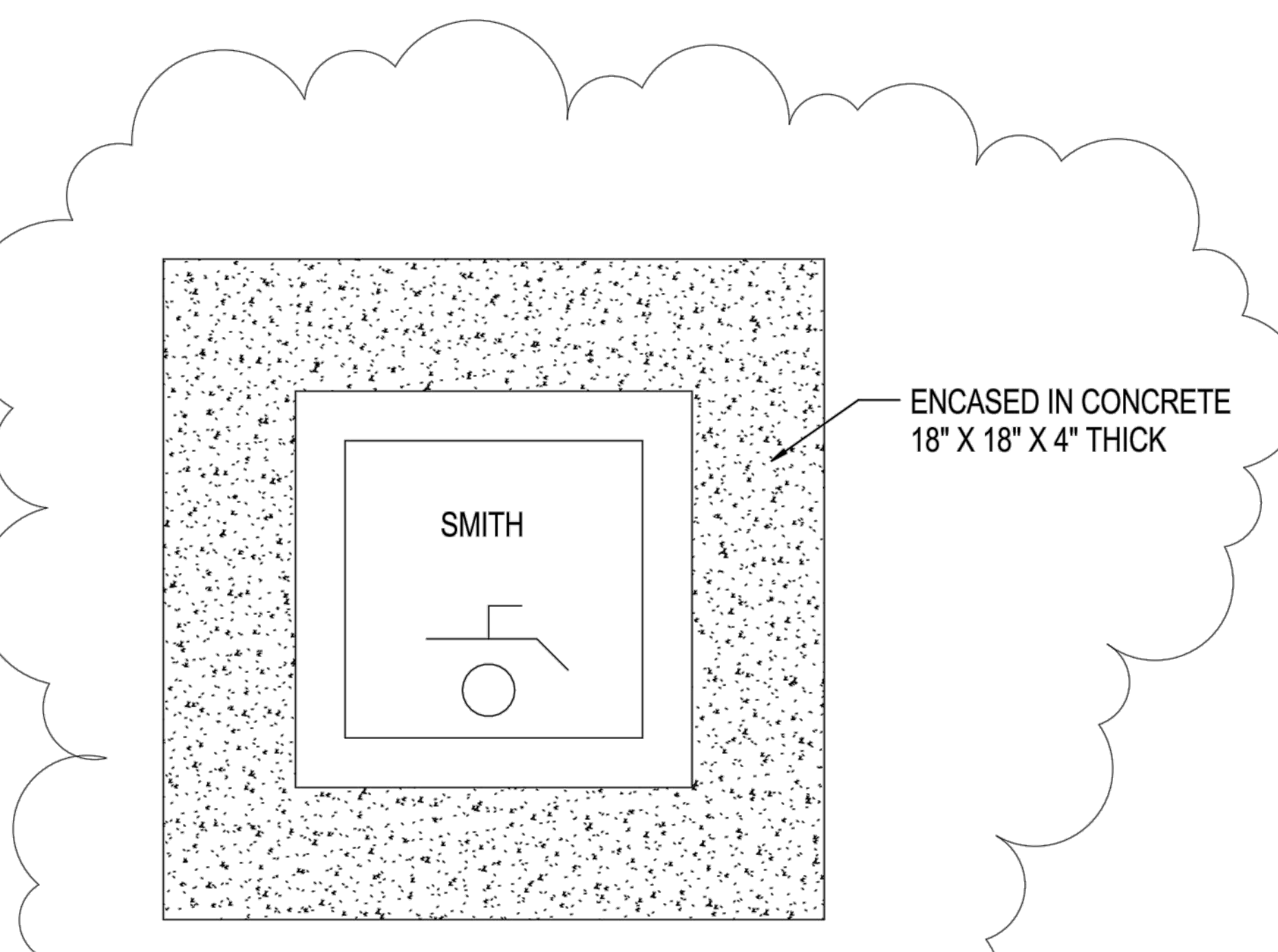
**B3** TP-2 TRAP PRIMER DETAIL  
NOT TO SCALE  
P-402



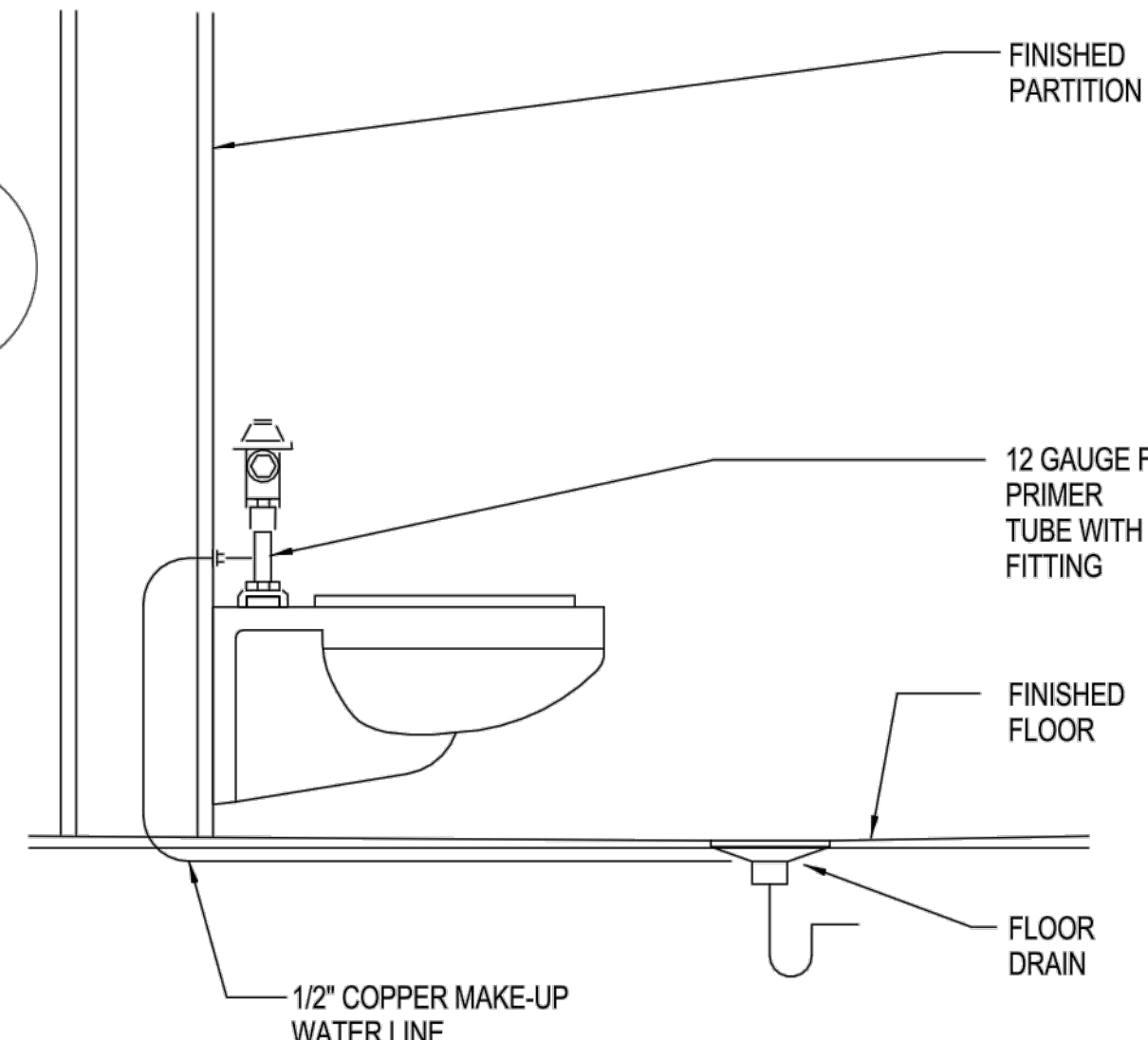
**B4** CIRCULATING PUMP DETAIL  
NOT TO SCALE  
P-402



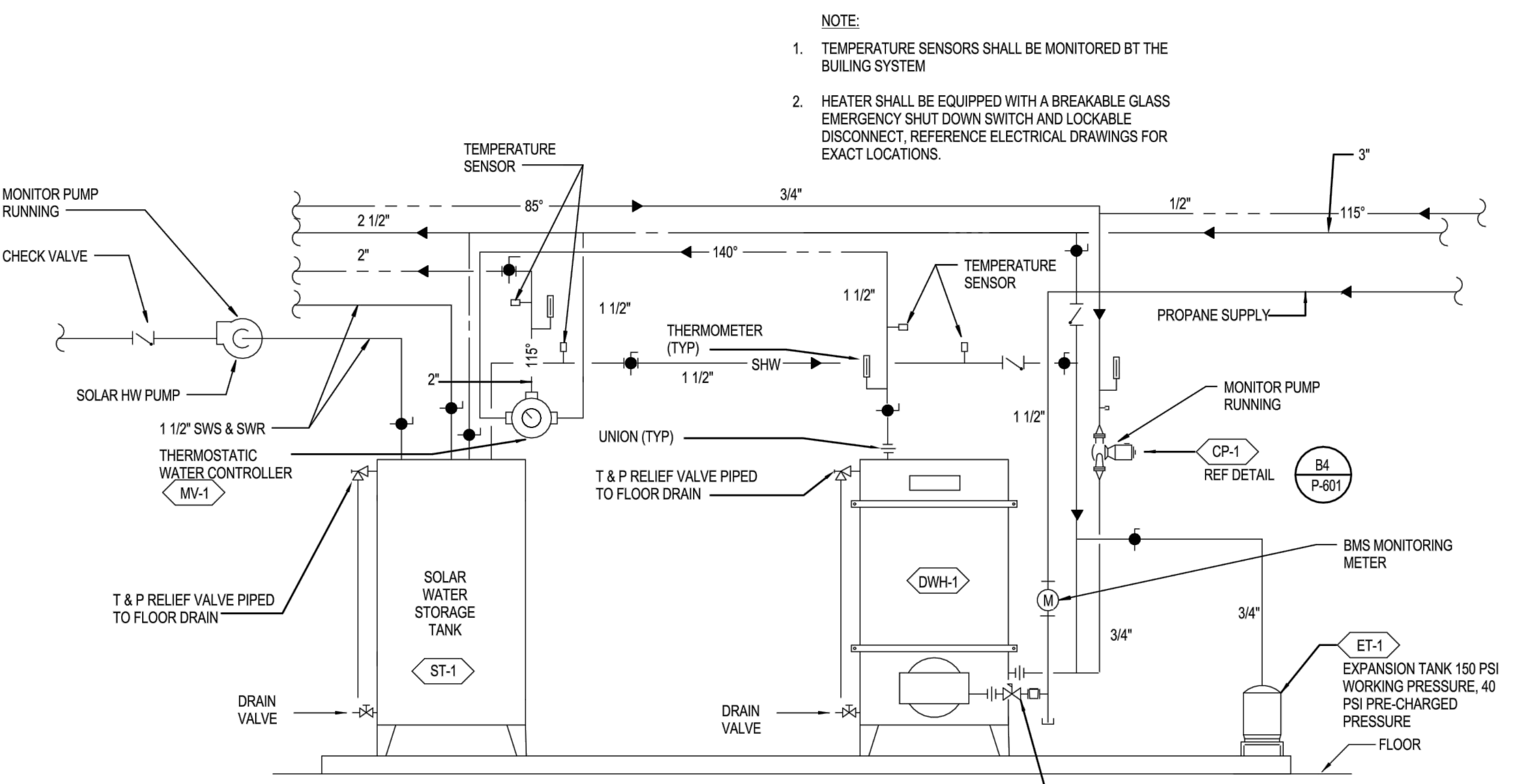
**B5** OI-3 (EXTERIOR WASH FACILITY) OIL WATER SEPERATOR DETAIL  
NOT TO SCALE  
CS104



**A1** WH-2 GROUND HYDRANT DETAIL  
NOT TO SCALE  
P-401



**A2** TP-1 FLUSH VALVE TRAP PRIMER DETAIL  
NOT TO SCALE  
P-401



**A3** DWH-1 DOMESTIC WATER HEATER DETAIL  
NOT TO SCALE  
P-402

**ARMY AVIATION SUPPORT FACILITY (AASF)**  
 HAWAII ARMY NATIONAL GUARD  
 KALAELOA, OAHU, HAWAII  
 NATIONAL GUARD BUREAU PROJECT NO. 150023

Key Plan:  
Scales:  
Jacobs Project No.: FDYD0300  
Drawing Title: **PLUMBING DETAILS**  
Date: 20 JANUARY 2015  
Designed By: W. WATSON  
Drawn By: J. HALL  
Checked By: J. TOWERY  
Drawing No.: **P-601**